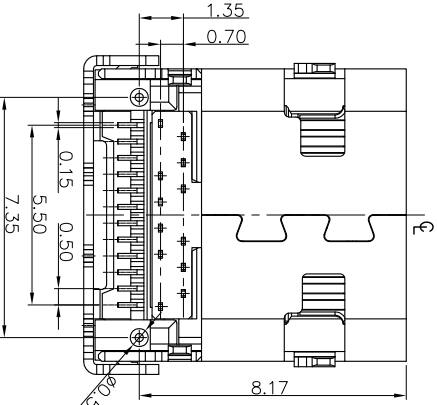
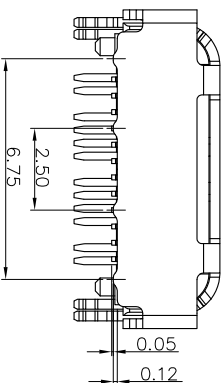
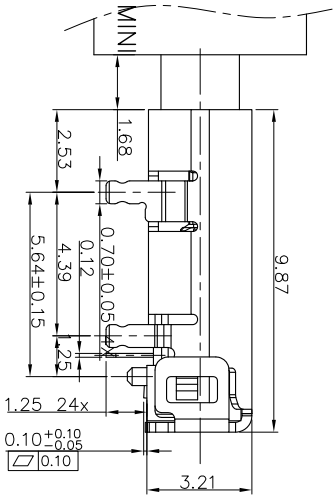
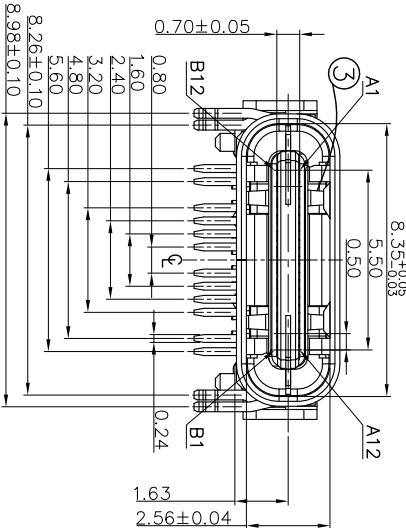
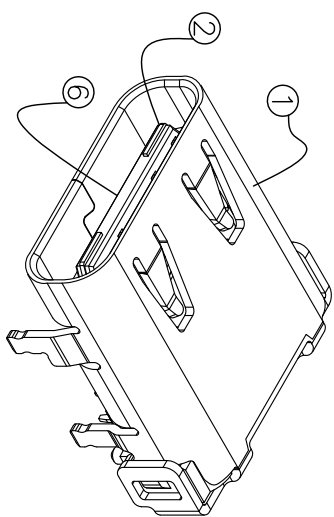
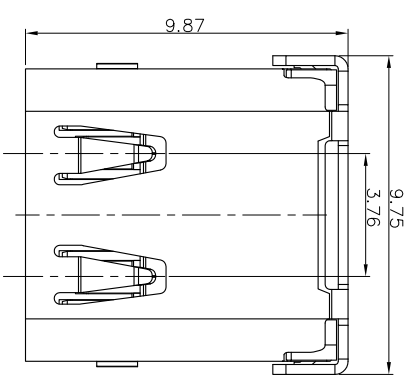


REV.	ECN. NO.	NAME	DATE
A	NEW	周文	2015/01/16

- SPECIFICATIONS:**
- MECHANICAL :
 - INSERTION FORCE :5N~20N
 - WITHDRAWAL FORCE :8N~20N AFTER 10,000 CYCLES MATING: 2N MIN.
 - ELECTRICAL :
 - CONTACT CURRENT RATING: 3A .
 - VOLTAGE RATING :30V AC (rms)
 - WITHSTANDING VOLTAGE: 100 VAC FOR 1 MINUTE. INSULATION RESISTANCE: 100 MEGAΩHMS MIN.
 - CONTACT RESISTANCE: 40 MILLIOHMS MAX.
 - ENVIRONMENTAL :
 - OPERATING TEMPERATURE:-25°C TO +85°C



4.P/N: FUC-24F1X-SNLB1

C: C TYPE
F: FEMALE

CONTACT
1: GOLD FLASH
2.PLATED 3U" GOLD
3.PLATED 5U" GOLD
4.PLATED 15U" GOLD
5.PLATED 30U" GOLD

TOLERANCE UNSPECIFIED

.0	±0.50
.00	±0.38
.000	±0.25
ANGLE	±0.10°
MANUFACTURING	±3.00°

COPY

TITLE: USB C TYPE FEMALE R/A SMT COVER TYPE

DRAWN BY:	SIZE:A4	UNIT:.mm	PART NO. FUC-24F1X-SNLB1
CHECKED BY:	SCALE: 1:1	PROJECTION	REV.: A
APPROVED BY:	DWG. PATH		SHEET:1/4